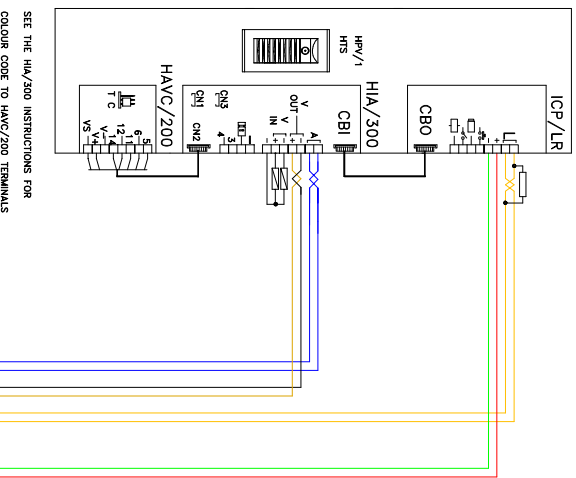
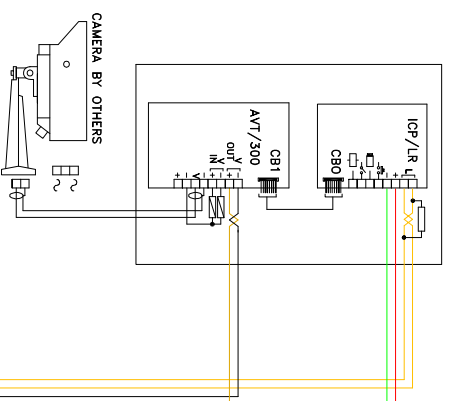


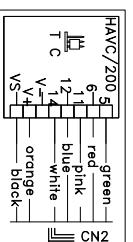
VIDEO ENTRY PANEL



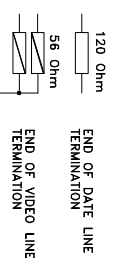
CONTROL EQUIPMENT FOR REMOTE CAMERA (BY OTHERS)



CLEAN CONTACTS TO GATE RELEASE.



1. IT IS VITAL THAT THE CLOSING RESISTANCES SHOWN ON THE DRAWING AS 58R & 120R ARE CONNECTED AS INDICATED.
2. THE TWISTED PAIRS MUST NOT BE UNWISTED TO SIMPLY INSERTION INTO THE TERMINALS. THE TWISTED PAIRS MUST BE TWISTED TOGETHER ALL THE WAY INTO THE TERMINALS.

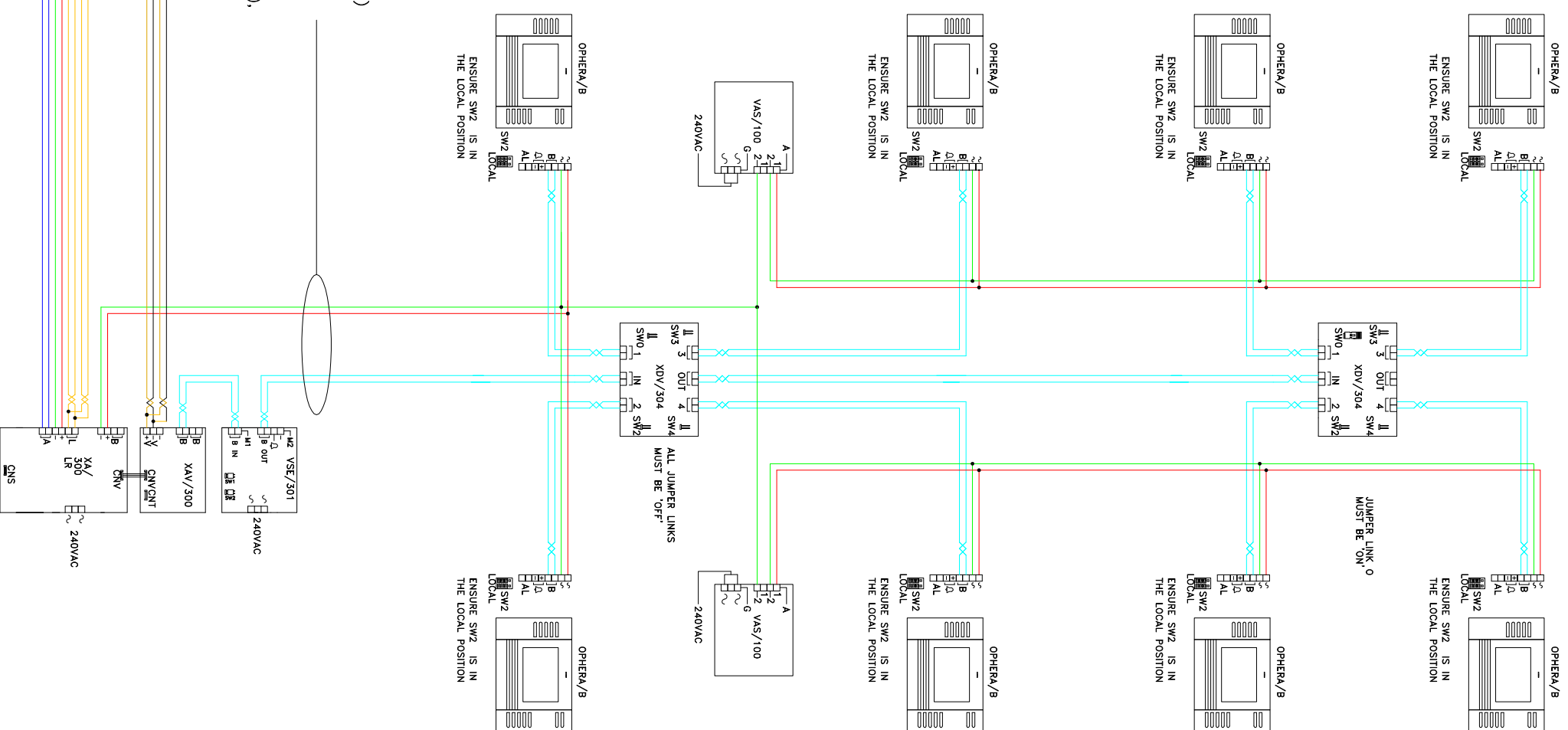


IN THIS CONFIGURATION SHOWN

PLEASE NOTE THE MAXIMUM DISTANCE BETWEEN ENTRY PANEL AND XA/300 CANNOT EXCEED

(150M USING 4 PAIR CAT5 + 2 CORES @ 1.0MMSQ)

PLEASE NOTE THE MAXIMUM DISTANCE BETWEEN XA/300 AND FURTHEST MONITOR CANNOT EXCEED (100M USING 4 PAIR CAT5 + 2 CORES @ 1.0MMSQ).



BPT (UK) LTD. HERTS. ENGLAND	PREPARED FOR INSTALLER INFORMATION	DATE: 26/03/08	DRAWN/RC
DRAWING TITLE: 1 X 1 BUTTON TARGRA VIDEO ENTRY PANEL + CCTV CAMERA & 8 OPHERA MONITORS WITH INTERNAL INTERCOM		REVISED:	
		DRAWING No: C-1172P8CIVT	